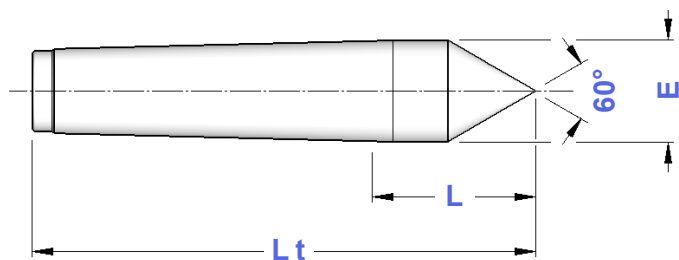
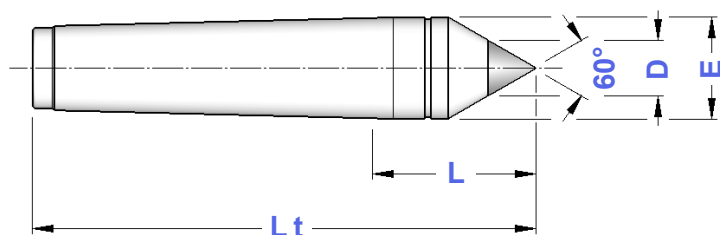
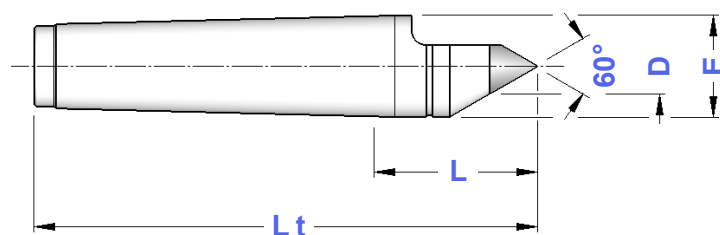


DIN 806**CONTROPUNTE ATTACCO CM IN ACCIAIO**
STEEL TYPE MORSE TAPER SHANK TAILSTOCKS**CP.A**

TIPO	Art.	E	L	Lt
CP. A - CM 1	4335	12,2	26,5	80
CP. A - CM 2	4336	18,0	36,0	100
CP. A - CM 3	4337	24,1	44,0	125
CP. A - CM 4	4338	31,6	57,5	160
CP. A - CM 5	4339	44,7	70,5	200
CP. A - CM 6	8487	63,8	88,0	270

DIN 806**CONTROPUNTE ATTACCO CM CON METALLO DURO**
MORSE TAPER SHANK TAILSTOCKS WITH SOLID CARBIDE**CP.W**

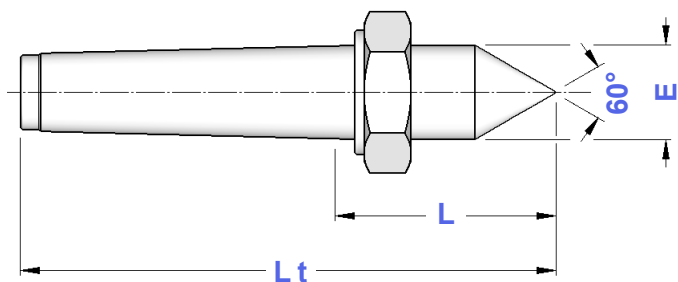
TIPO	Art.	D	E	L	Lt
CP. W - CM 1	3957	7	12,2	26,5	80
CP. W - CM 2	4341	7	18,0	36,0	100
CP. W - CM 3	4342	11	24,1	44,0	125
CP. W - CM 4	4343	14	31,6	57,5	160
CP. W - CM 5	4344	18	44,7	70,5	200
CP. W - CM 6	8488	18	63,8	88,0	270

DIN 806**CONTROPUNTE PER RETTIFICA CON METALLO DURO**
MT SHANK TAILSTOCKS WITH SOLID CARBIDE FOR GRINDING**CP.WR**

TIPO	Art.	D	E	L	Lt
CP. WR - CM 1	3959	7	12,2	26,5	80
CP. WR - CM 2	4345	7	18,0	36,0	100
CP. WR - CM 3	4346	11	24,1	44,0	125
CP. WR - CM 4	4347	14	31,6	57,5	160
CP. WR - CM 5	4348	18	44,7	70,5	200
CP. WR - CM 6	8489	18	63,8	88,0	270

DIN 807

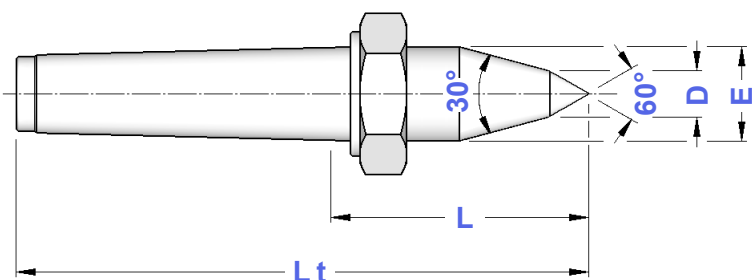
**CONTROPUNTE ATTACCO CM IN ACCIAIO
CON ESTRATTORE**
STEEL TAILSTOCKS WITH EXTRACTOR

CP.E

TIPO	Art.	E	L	Lt
CP. E - CM 1	5380	12,2	26,5	80
CP. E - CM 2	5381	18,0	36,0	100
CP. E - CM 3	5382	24,1	44,0	125
CP. E - CM 4	5383	31,6	57,5	160
CP. E - CM 5	5384	44,7	70,5	200
CP. E - CM 6	8490	63,8	88,0	270

DIN 807

**CONTROPUNTE ATTACCO CM IN ACCIAIO
CON ESTRATTORE - TIPO COPY**
STEEL TAILSTOCKS WITH EXTRACTOR - COPY TYPE

CP.EL

TIPO	Art.	D	E	L	Lt
CP. EL - CM 1	8491	5	12,2	26,5	80,0
CP. EL - CM 2	5385	10	18,0	54,0	118,0
CP. EL - CM 3	5386	10	24,1	67,0	148,0
CP. EL - CM 4	5387	14	31,6	84,0	186,5
CP. EL - CM 5	5388	16	44,7	112,5	242,0
CP. EL - CM 6	8492	20	63,8	148,0	330,0

TP

TAMPONI PULITORI PER SEDE CONO MORSE
MORSE TAPER CLEANERS

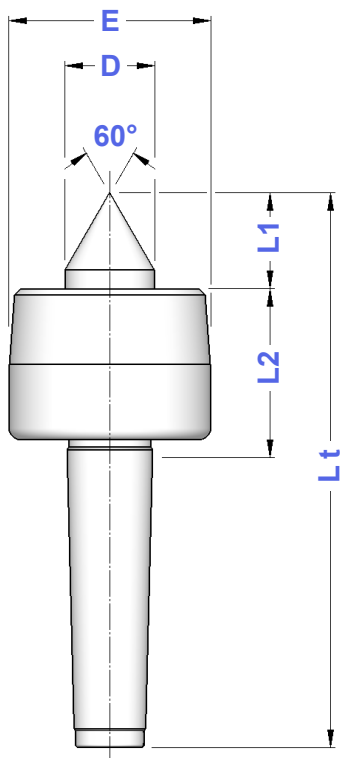


TIPO	Art.
TP - CM. 1	4411
TP - CM. 2	4412
TP - CM. 3	4413
TP - CM. 4	4414
TP - CM. 5	4415
TP - CM. 6	5065

La gamma completa di Tamponi Pulitori si trova a pagina 196 del Catalogo Generale
Complete range of Taper Cleaners is on page 196 of General Catalogue

CP.R

CONTROPUNTE ROTANTI CON ATTACCO CM MORSE TAPER SHANK ROTARY TAILSTOCKS



TIPO STANDARD

STANDARD TYPE

TIPO	Art.	E	D	L1	L2	Lt	Rpm Max	Kg. Max
CP. RS - CM 1	4349	36	15	17,0	43,5	114,0	7000	100
CP. RS - CM 2	4350	45	20	24,0	41,0	129,0	7000	200
CP. RS - CM 3	4351	60	25	31,0	48,5	160,5	5000	500
CP. RS - CM 4	4352	70	32	41,0	61,5	205,0	3800	800
CP. RS - CM 5	4353	90	40	50,5	78,5	258,5	3000	2000
CP. RS - CM 6	8330	105	50	57,5	94,5	334,0	2600	3500

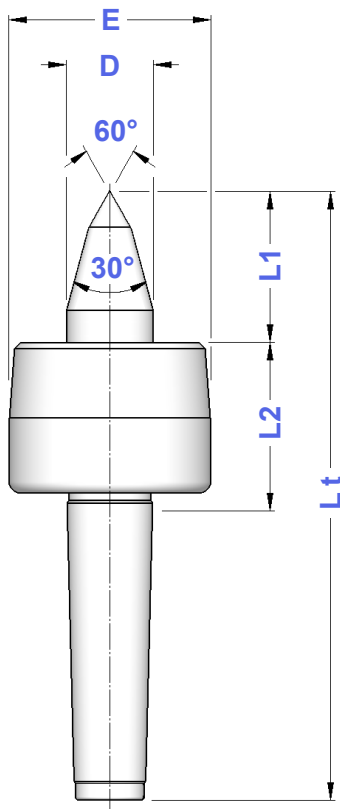
TIPO A DOPPIA SFERA

DOUBLE SPHERES TYPE

TIPO	Art.	E	D	L1	L2	Lt	Rpm Max	Kg. Max
CP. RD - CM 2	5311	32	15	20	42	126,0	6000	200
CP. RD - CM 3	5312	34	15	20	43	144,0	6000	400
CP. RD - CM 4	5313	43	20	26	50	178,5	6000	800
CP. RD - CM 5	5314	58	30	39	66	234,5	4000	1200

CP.RC

CONTROPUNTE ROTANTI COPY CON ATTACCO CM MORSE TAPER SHANK COPY ROTARY TAILSTOCKS



TIPO COPY STANDARD

STANDARD COPY TYPE

TIPO	Art.	E	D	L1	L2	Lt	Rpm Max	Kg. Max
CP. RCS - CM 1	5391	28	10	16	30,0	101,0	3800	80
CP. RCS - CM 2	5392	45	20	34	41,0	139,0	7000	140
CP. RCS - CM 3	5393	60	25	47	48,5	176,5	5000	400
CP. RCS - CM 4	5394	70	32	53	61,5	217,0	3800	500
CP. RCS - CM 5	5395	90	40	65	78,5	273,0	3000	1200
CP. RCS - CM 6	8331	105	50	78	94,5	354,5	2600	2500

TIPO COPY A DOPPIA SFERA

DOUBLE SPHERES COPY TYPE

TIPO	Art.	E	D	L1	L2	Lt	Rpm Max	Kg. Max
CP. RCD - CM 2	5396	32	15	29	42	135,0	6000	150
CP. RCD - CM 3	5397	34	15	30	43	154,0	6000	300
CP. RCD - CM 4	5398	43	20	36	50	188,5	6000	700
CP. RCD - CM 5	5399	58	30	46	70	245,5	4000	1000